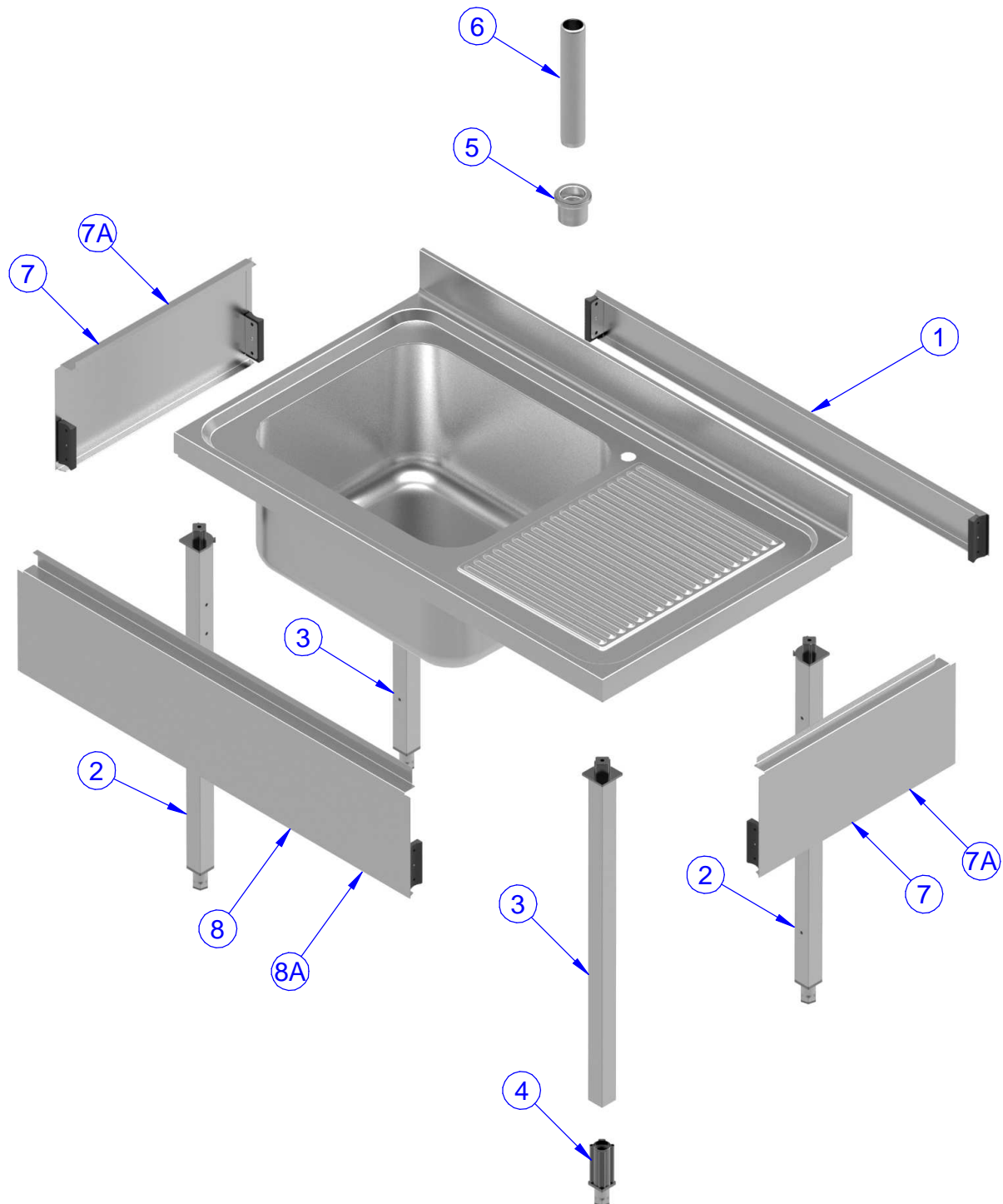


PNC	MODEL	L = mm	H = mm	REF	PNC	MODEL	L = mm	H = mm	REF
132803	LG716PN	700	900	a	132894	SL07N	700	900	l
132804	LG1216DXPN	1200	900	b	132895	SL10DN	1000	900	m
132805	LG1216SXP	1200	900	c	132896	SL10SN	1000	900	n
132806	LG1416DXPN	1400	900	d	132897	SL12DN	1200	900	o
132807	LG1416SXP	1400	900	e	132898	SL12SN	1200	900	p
132808	LG1225	1200	900	f	132899	SL14DN	1400	900	q
132809	LG1426PN	1400	900	g	132900	SL14SN	1400	900	r
132810	LG1826DXPN	1800	900	h	132901	SL210N	1000	900	s
132811	LG1826SXP	1800	900	i	132902	SL212N	1200	900	t
132812	LG2126DXPN	2100	900	j	132903	SL214N	1400	900	u
132813	LG2126SXP	2100	900	k	132904	SL216DN	1600	900	v
133248	LG2426N	2400	900	z	132905	SL216SN	1600	900	w
					132906	SL218DN	1800	900	x
					132907	SL218SN	1800	900	y

Pag.	Descrizione	Description
1	Indice	Index
2	Disegni	Drawings
3	Lista ricambi	Spare parts list

Brand / Marchio: STD - EB



LAVATOIO SINK UNIT

POS	(x) Valido dal Seriale 908xxx To be used from S/N 908xxx	COD	DESCRIZIONE	DESCRIPTION	Alias code	NOTES/REF.
1		0PEA93	Traversa posteriore 700 STD	Back pannel 700 STD	21270A039	a
1		0PE954	Traversa posteriore 700 EB	Back pannel 700 EB	21270A026	l
1		0PE956	Traversa posteriore 1000 EB	Back pannel 1000 EB	21270A023	m,n,s
1		0PEA94	Traversa posteriore 1200 STD	Back pannel 1200 STD	21270A037	b,c,f
1		0PE957	Traversa posteriore 1200 EB	Back pannel 1200 EB	21270A027	o,p,t
1		0PEA95	Traversa posteriore 1400 STD	Back pannel 1400 STD	21270A036	d,e,g
1		0PE958	Traversa posteriore 1400 EB	Back pannel 1400 EB	21270A022	q,r,u
1		0PE959	Traversa posteriore 1600 EB	Back pannel 1600 EB	21270A004	v,w
1		0PEA96	Traversa posteriore 1800 STD	Back pannel 1800 STD	21270A040	h,i
1		0PE960	Traversa posteriore 1800 EB	Back pannel 1800 EB	21270A024	x,y
1		0PEA97	Traversa posteriore 2100 STD	Back pannel 2100 STD	21270A041	j,k
1			Traversa posteriore 2400 STD	Back pannel 2400 STD	21270A135	z
2		0PEA48	Gamba 900 SX Lavelli	Left Leg 900 Sink unit	254000221	a,b,c,d,e,f,g,h,i,j,k,l,m,n, o,p,q,r,s,t,u,v,w,x,y,z
3		0PEA49	Gamba 900 DX Lavelli	Right Leg 900 Sink unit	254000220	a,b,c,d,e,f,g,h,i,j,k,l,m,n, o,p,q,r,s,t,u,v,w,x,y,z
4		0PEA26	Piedino inox/nylon 40x40 H100	Feet inox/nylon 40x40 H100	400688001	a,b,c,d,e,f,g,h,i,j,k,l,m,n, o,p,q,r,s,t,u,v,w,x,y,z
5		0PEA80	Piletta 1"1/12	Piletta 1"1/12	100100016	l,m,n,o,p,q,r,s,t,u,v,w,x,y
5		0PEB29	Piletta 2"	Piletta 2"	100100159	a,b,c,d,e,f,g,h,i,j,k,z
6		0PE952	Troppo pieno 230	Overflow tube 230	100100012	l,m,n,o,p,q,r,s,t,u,v,w,x,y
6		0PEA29	Troppo pieno 280	Overflow tube 280	100100013	a,b,c,d,e,f,g,h,i,j,k,z
7		0PEA98	Pannello Laterale 700 STD	Lateral pannel 700 STD	21270A042	a,b,c,d,e,f,g,h,i,j,k,z
7A	x				21270AA42	
7		0PE961	Pannello Laterale 700 EB	Lateral pannel 700 EB	21270A002	l,m,n,o,p,q,r,s,t,u,v,w,x,y
7A	x				2127AA002	
8		0PEA99	Pannello Frontale 700 STD	Pannello Frontale 700 STD	21270A034	a
8A	x				2127AA034	l
8		0PE963	Pannello Frontale 700 EB	Frontal pannel 700 EB	21270A019	m,n,s
8A	x				2127AA019	b,c,f
8		0PE965	Pannello Frontale 1000 EB	Frontal pannel 1000 EB	21270A018	o,p,t
8A	x				2127AA018	d,e,g
8		0PEB00	Pannello Frontale 1200 STD	Frontal pannel 1200 STD	21270A030	q,r,u
8A	x				2127AA030	v,w
8		0PE966	Pannello Frontale 1200 EB	Frontal pannel 1200 EB	21270A017	h,i
8A	x				2127AA017	x,y

LAVATOIO SINK UNIT

POS	(x) Valido dal Seriale 908xxx To be used from S/N 908xxx	COD	DESCRIZIONE	DESCRIPTION	Alias code	NOTES/REF.
8		0PE967			21270A016	l
8A	x		Pannello Frontale 1400 EB	Frontal pannel 1400 EB	2127AA016	m,n,s
8		0PE968			21270A003	b,c,f
8A	x		Pannello Frontale 1600 EB	Frontal pannel 1600 EB	2127AA003	o,p,t
8		0PEB02			21270A032	d,e,g
8A	x		Pannello Frontale 1800 STD	Frontal pannel 1800 STD	2127AA032	q,r,u
8		0PE969			21270A020	v,w
8A	x		Pannello Frontale 1800 EB	Frontal pannel 1800 EB	2127AA020	h,i
8		0PEB03			21270A033	x,y
8A	x		Pannello Frontale 2100 STD	Frontal pannel 2100 STD	2127AA033	j,k
8A	x		Pannello Frontale 2400 STD	Frontal pannel 2400 STD	2127AA134	z